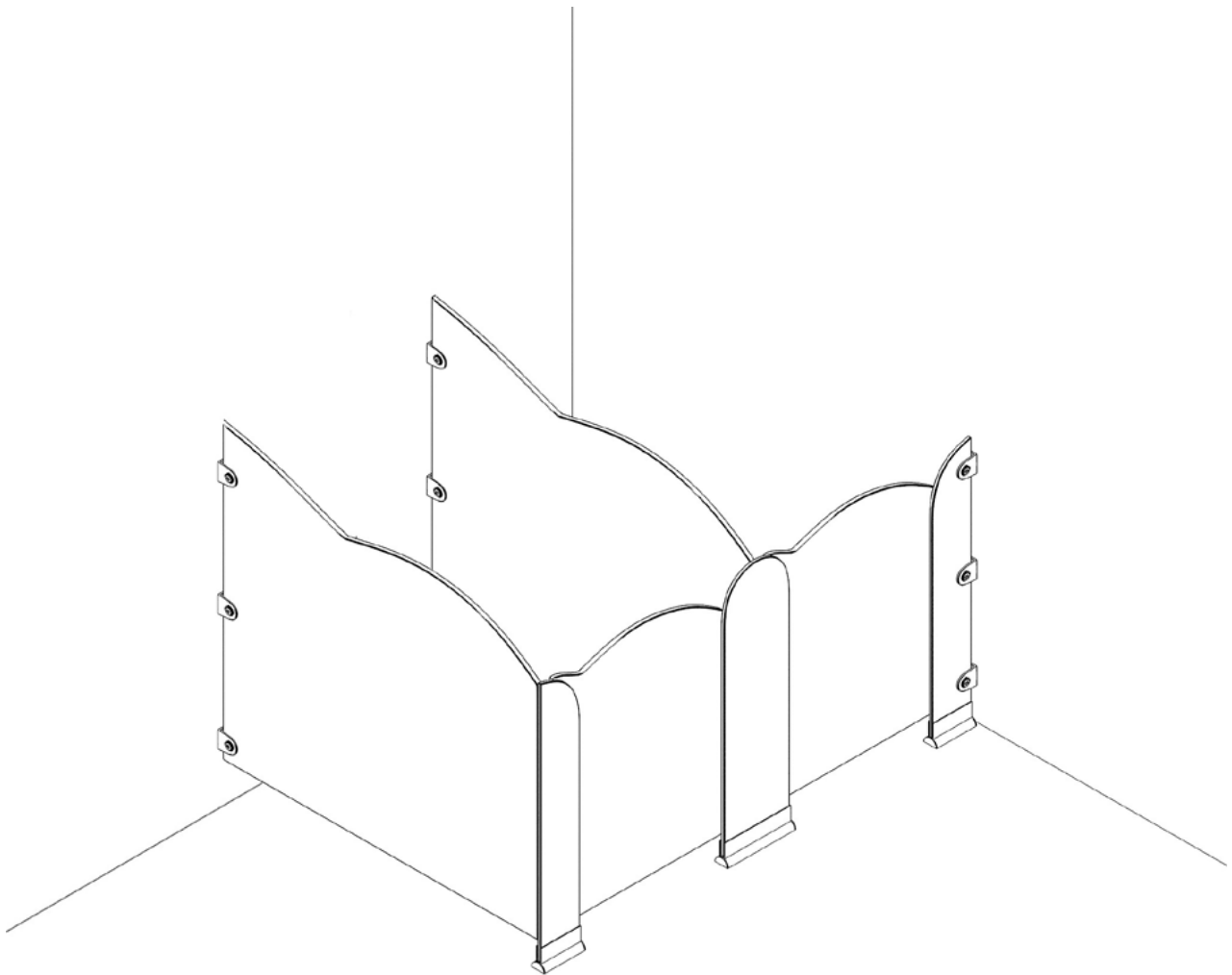


Technical Overview - Bounce



Considerations

- Sound concrete sub-floor required for the standard Bounce range (without a headrail).
- Full height Bounce range (with a headrail) can be used with all floor types.
- Magnetic catch as standard. (Alternate catch available at customer's request)
- Minimal tolerance allowed for the drilling of the non bolt through screws.
- Either a 'D' or 'L' profile headrail can be used with the full height Bounce range.
- For cubicles with a 'D' headrail, end caps need to be ordered for all exposed headrail ends
- Can use décors from any of the leading panel manufacturers.
- Panels can be fully or partially pre-drilled depending on walls and floor.

Details

- Overall Height - Standard: 1300mm / Full Height: 1900mm
- Floor Clearance - 100mm
- Standard Cubicle Depth - 1500mm (Alternate partition widths on customer request)
- Material Options - 13mm SGL (Nominal thickness, with polished black radiused edges).

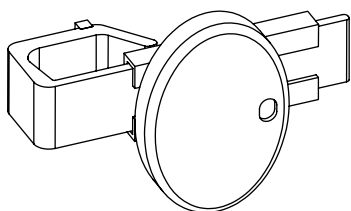
Drilling

Panel	Overall Drill Holes
Door	5 (Alternate catch: 9)
Partition	6
End Pilaster	(Hinged: 7) (Non Hinged: 3)
Centre Pilaster	7

The number of drill holes above indicates drilling for all components except the leg and the indicator keep which is always done on site.

Alternate Catch

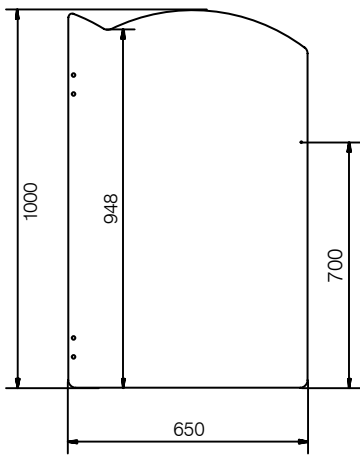
Finish	Reference
Black Silver	Advance Lockable Indicator Bolt



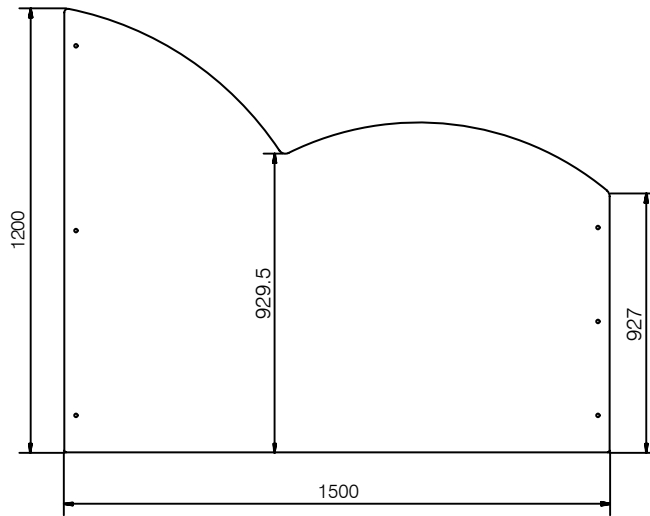
**** NOTE ** Please state the finish of the fittings during enquiry.**

Standard (Without Headrail)

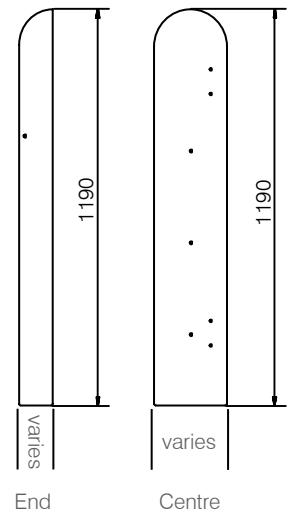
Doors



Partitions

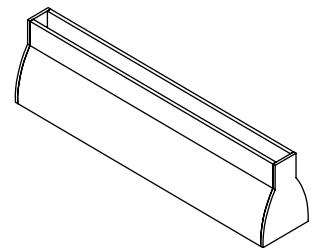
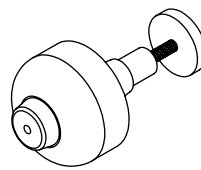
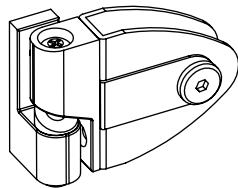
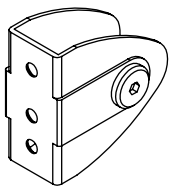


Pilasters



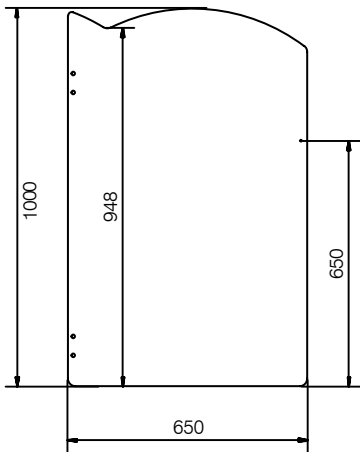
Fittings

Finish	Reference
Black Silver	Advance Wall Brackets
	Advance Pilaster Bracket
	Advance Hinges
	Magnetic Door Catch
	400mm Pilaster Foot
	200mm Pilaster Foot

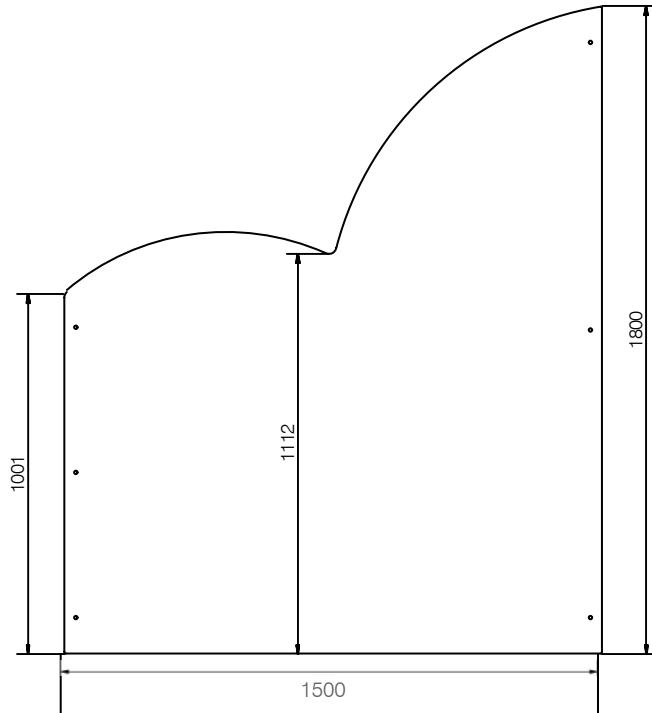


Full Height (With Headrail)

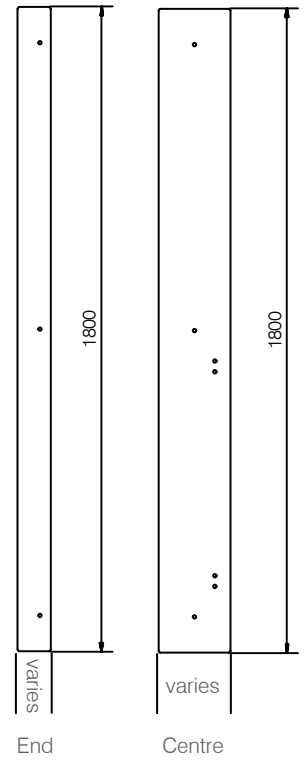
Doors



Partitions



Pilasters



Fittings

Finish	Reference
Silver Black	Advance Wall Brackets
	Advance Pilaster Bracket
	Advance Hinges (BT)
	Magnetic Door Catch
	Advance leg
	Headrail End Caps
Silver	4M L Headrail
	4M Plain D Headrail
Black	3M Plain D Headrail
	3M L Headrail

