

Slide⁺



Slide⁺ is an extension of our preschool Slide range, adapted to meet the demands of a primary school washroom. The design of our Slide⁺ washroom helps bridge the transition from child to young adult with its contemporary form.



Specifying Slide⁺

Overall Height

1900mm

Door Heights

Infants - 1300mm

Juniors - 1500mm

Floor Clearance

100mm

Cubicle Depth

1500mm (standard)

Hardware

Headrail - 'D' shaped headrail

Hinges - anti-trap hinges

Wall Fixings - 'U' brackets

Indicator Bolt - easy slide bolt

Pedestal - slimline foot

Panels

Material* - 19mm MFC, 13mm

CDF or 12/13mm SGL

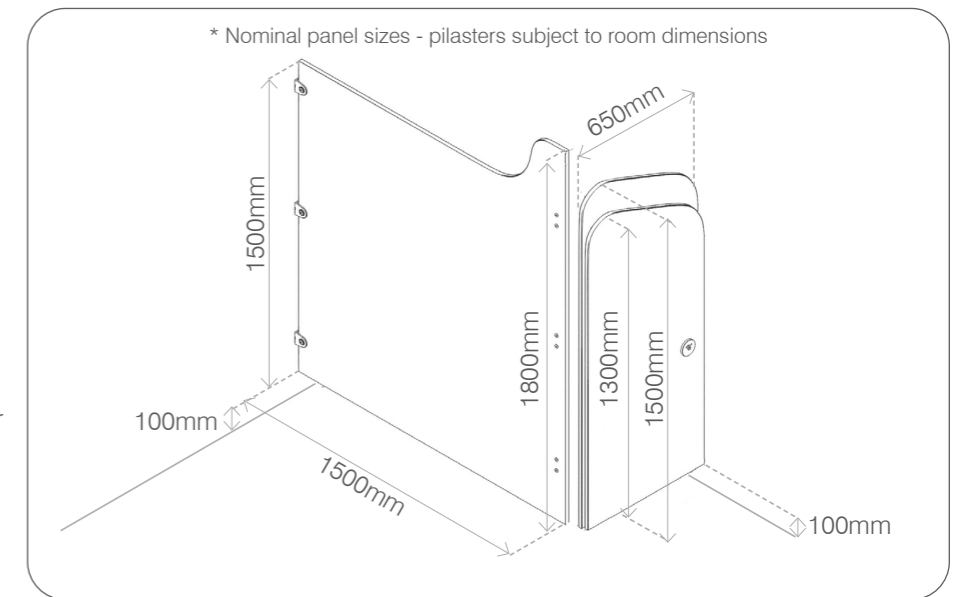
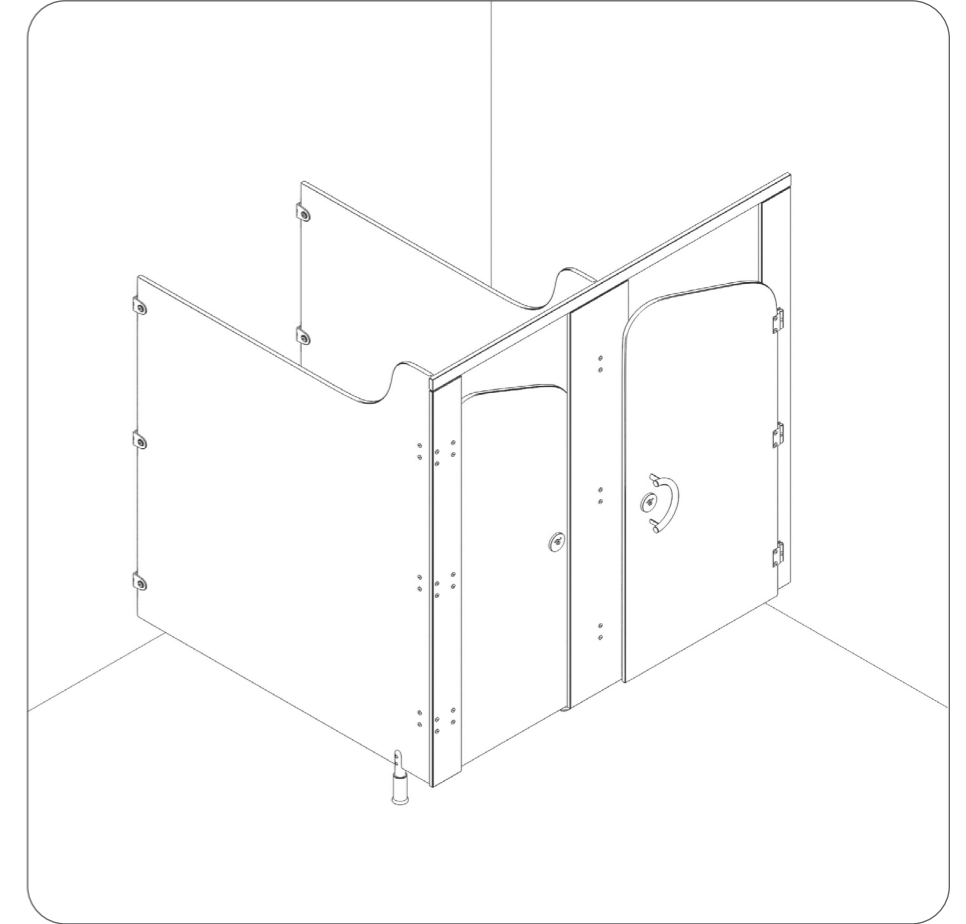
Edges MFC - 2mm ABS
(matching or contrasting)

Edges CDF/ SGL - polished
black with radius

Colour finishes

Panels - various, from all
leading panel manufacturers.

Hardware - dark texture, SAA, or
powder coated



* Nominal panel thickness
° Available to order