



Washroom Component Panels





Simple, straightforward,
supply only washrooms.

Get in touch with us today to arrange
a consultation visit with one of our
regional account managers about our
Cubico® washroom components.

01925 223 965

sales@starbank-uk.com

www.starbank-uk.com



Bounce cubicle range with headrail, in SGL



Slide⁺ Washroom in MFC & matching 2mm ABS edgebanding



Standard⁺ in SGL with an Aquaform[®] vanity unit.

CUBICO[®]

Cubico[®] encompasses everything you need for the fit-out of rest rooms across all market sectors. We offer a supply only service of washroom panel components for our customers to easily install on site.

Being a supply only manufacturer we believe it offers you the most cost effective way of purchasing your ideal system.

We work with you and your room measurements to advise and manufacture the correct cubicle panel types to suit your environment and budget.

Cubico offers you washroom furniture that includes:

- **Cubicle panels**
- **Duct panel systems**
- **Vanity units**
- **Urinal modesty screens**

Most of our washroom ranges can also be configured to suit a variety of ages. With multiple door and vanity unit heights to choose from, our cubicle furniture ranges are age appropriate for infants and children all the way through to adults.

Bounce

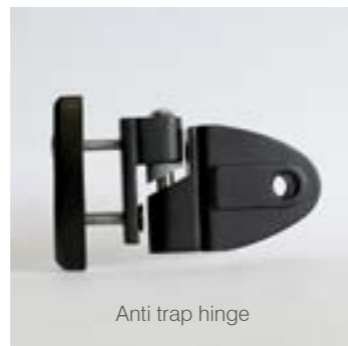


The Bounce range is a fun shaped cubicle, designed for preschool children. The design creates a space that works for both the children and the nursery staff. Reduced height doors and partitions together with magnetic catches makes the children feel at ease as well as allowing the staff to supervise accordingly.



Available in two overall heights: Bounce without a headrail as standard, or full height with a headrail on request. The full height option has extended shaped partitions and comes with an alternate foot. Recommended when the room has an uneven floor.

For more details on the alternate options for the Bounce range, please see our technical data online or speak to our sales team.



Specification

Overall Height

1300mm

Door Height

1000mm

Floor Clearance

100mm

Cubicle Depth

1500mm (standard)

Hardware

Hinges - anti-trap hinges

Wall Fixings - 'U' brackets

Indicator Bolt - magnetic catch

Pedestal - full channel foot

Panels

13mm* SGL

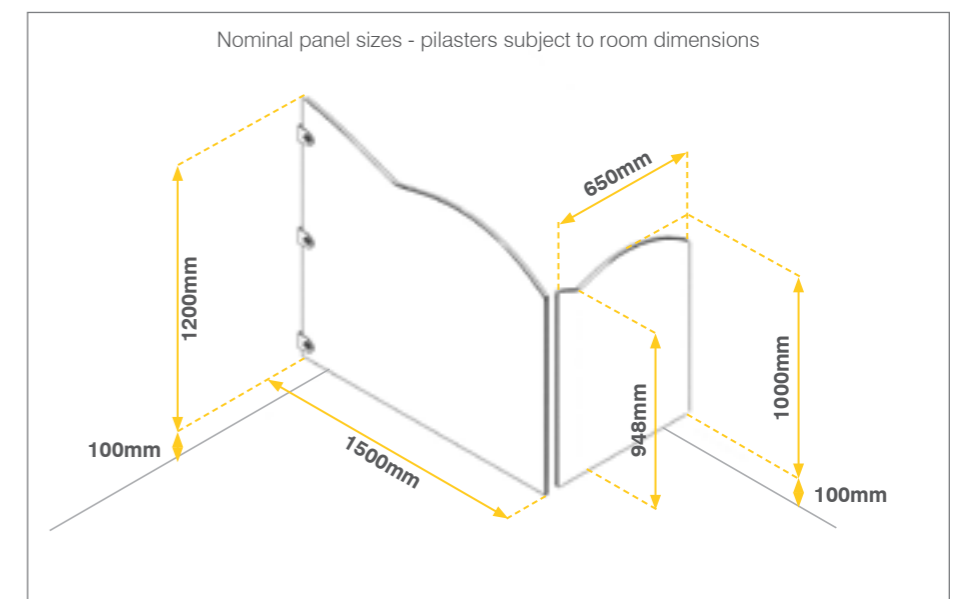
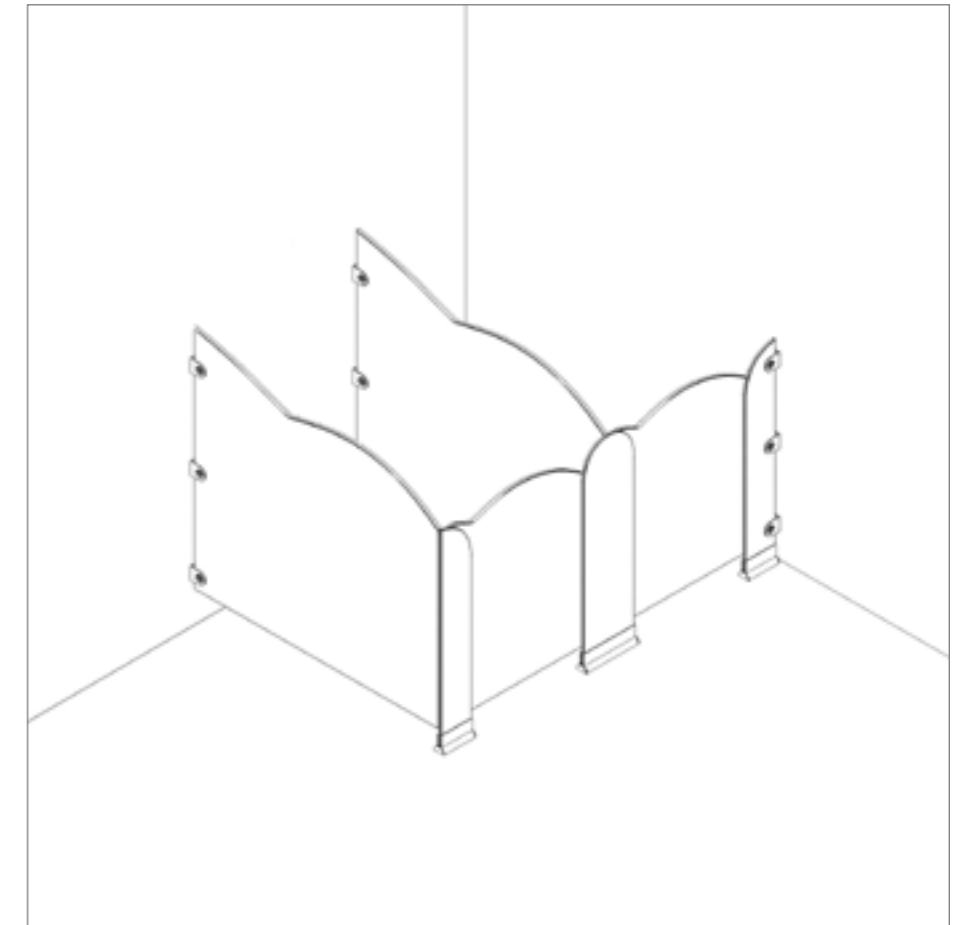
Edges

black, radiused & polished

Decor & Finish

Panels - choose from any of the leading manufacturers

Hardware - black or silver



* Nominal panel thickness

Slide

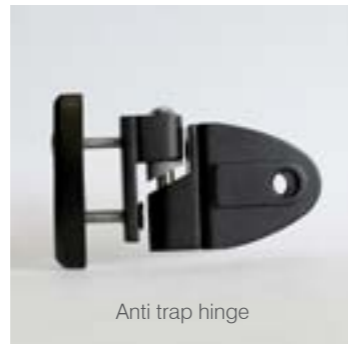


The Slide cubicle, is the second in our range of washrooms that is designed for preschool children. Due to the nature of this design, the reduced height doors and partitions allow the children to feel at ease alongside staff who can supervise accordingly. You have the option to specify Slide in either SGL or MFC, making this washroom suitable for all budgets.



Available in two overall configurations: Slide without a headrail as standard, or with a headrail on request. The option with a headrail, reverses the partitions and comes with an alternate foot. Recommended when the room has an uneven floor.

For more details on the alternate options for the Slide range, please see our technical data online or speak to our sales team.



Anti trap hinge



'U' bracket



Magnetic catch



Full channel foot

Specification

Overall Height

1900mm

Door Height

1000mm

Floor Clearance

100mm

Cubicle Depth

1500mm (standard)

Hardware

Hinges - anti-trap hinges

Wall Fixings - 'U' brackets

Indicator Bolt - magnetic catch

Pedestal - full channel foot

Panels

Material A - 13mm* SGL

Material B - 18mm* MFC

Edges

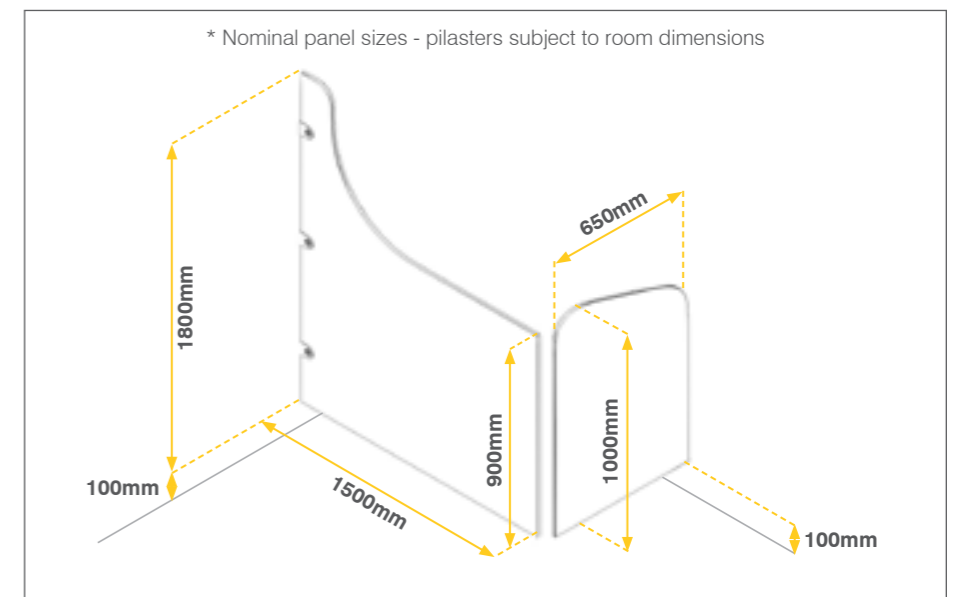
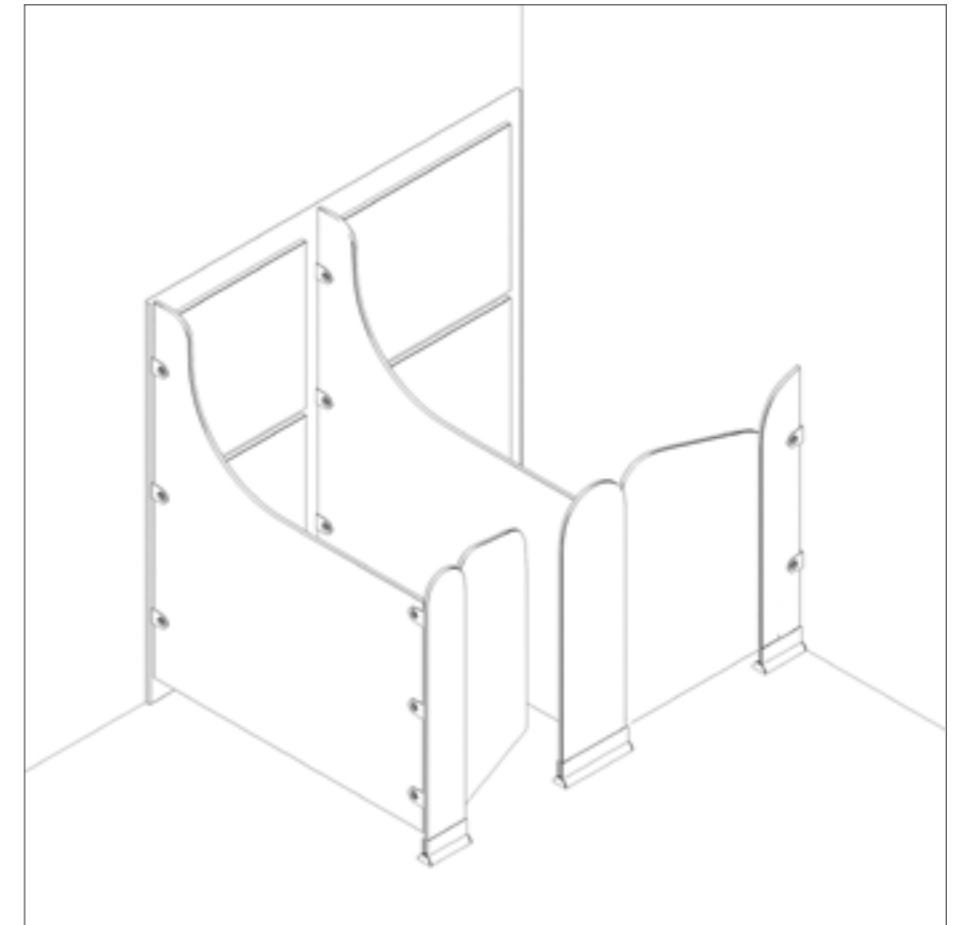
SGL - black, radiused & polished

MFC - 2mm ABS

Decor & Finish

Panels - choose from any of the leading manufacturers.

Hardware - black or silver



* Nominal panel thickness

Standard



Our Standard washroom range is the staple cubicle design, that can be used across all market sectors. This version is specifically designed for primary school aged children, with full height partitions, and two standard door heights to choose from.



For full height doors as well as partitions, see our Standard+ range on page ////////////////



'L' shaped headrail



Indicator bolt front



Easy slide indicator bolt



Slender foot with black base

Specification

Overall Height

1900mm

Door Heights

Infants - 1300mm
Juniors - 1500mm

Floor Clearance

100mm

Cubicle Depth

1500mm (standard)

Hardware

Headrail - 'L' shaped headrail
Hinges - anti-trap hinges
Wall Fixings - 'U' brackets
Indicator Bolt - easy slide bolt
Pedestal - slender foot, black base

Panels

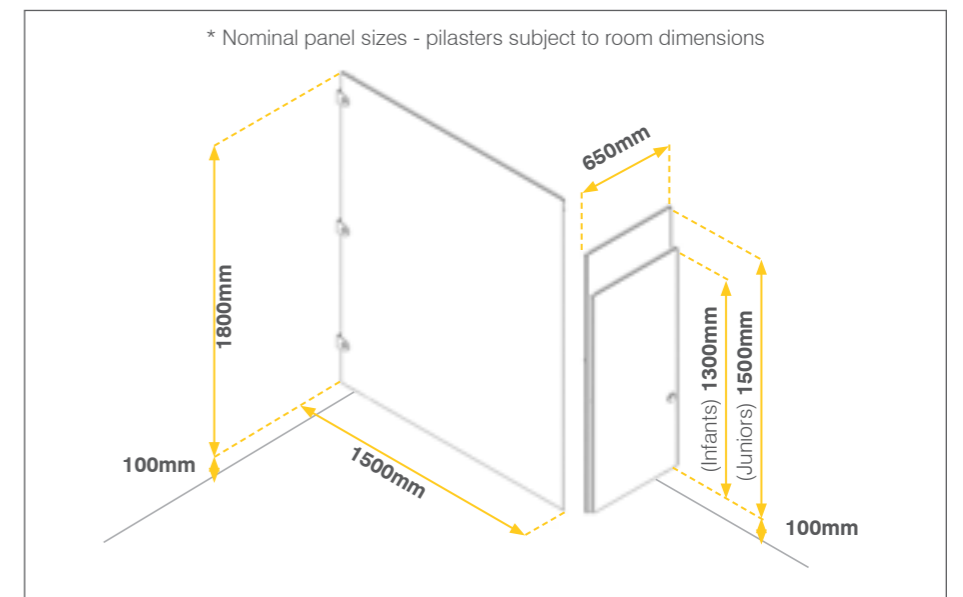
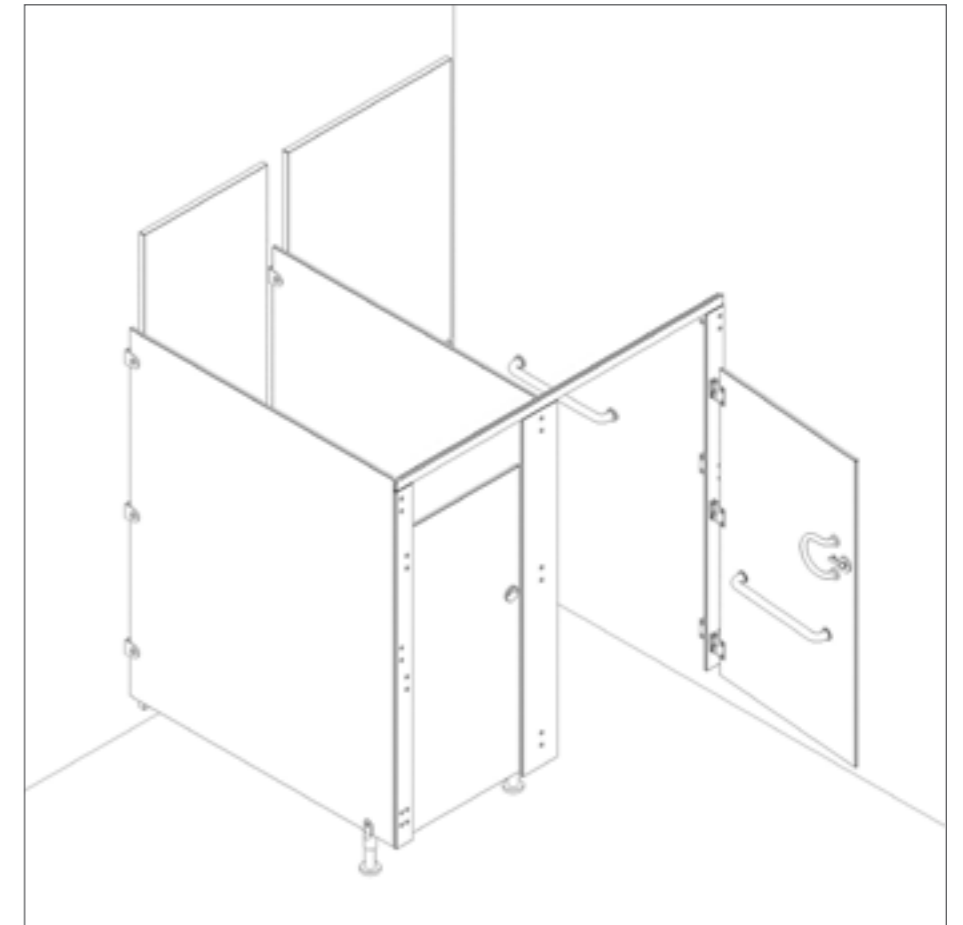
Material A - 13mm* SGL
Material B - 18mm* MFC

Edges

SGL - black, radiused & polished
MFC - 2mm ABS

Decor & Finish

Panels - choose from any of the leading manufacturers.
Hardware - black or silver



* Nominal panel thickness

Bounce⁺



Bounce+ is an extension of our Bounce range, which has been redesigned to meet the needs of primary school children. In keeping with the fun design, Bounce+ retains the shaped partitions and doors whilst maintaining adequate privacy for children. Bounce+ comes with the choice of two standard door heights.



'L' shaped headrail



Indicator bolt front



Easy slide indicator bolt



Slender foot with black base

Specification

Overall Height

1900mm

Door Heights

Infants - 1300mm
Juniors - 1500mm

Floor Clearance

100mm

Cubicle Depth

1500mm (standard)

Hardware

Headrail - 'L' shape headrail
Hinges - anti-trap hinges
Wall Fixings - 'U' brackets
Indicator Bolt - easy slide bolt
Pedestal - slender foot, black base

Panels

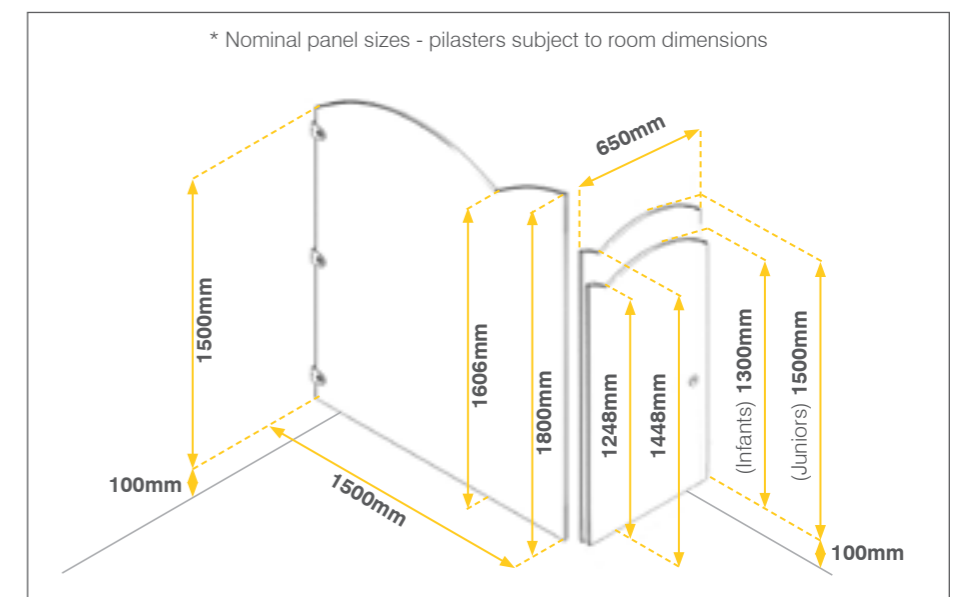
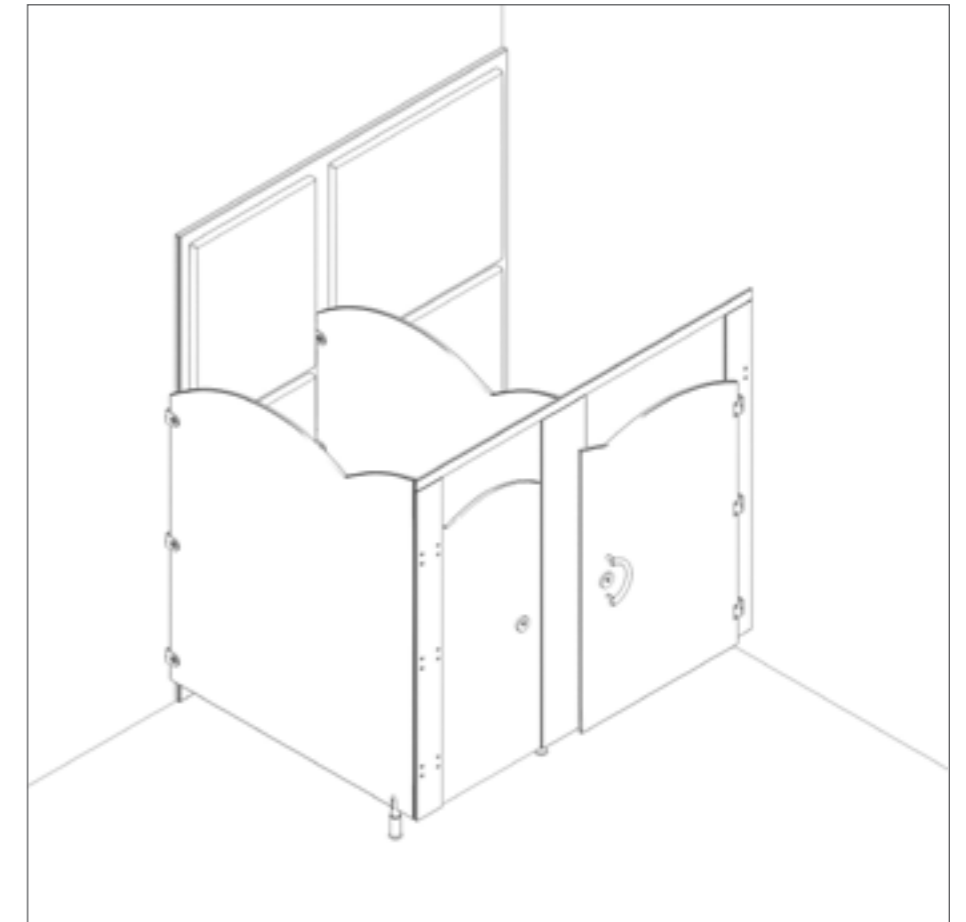
13mm* SGL

Edges

black, radiused & polished

Decor & Finish

Panels - choose from any of the leading manufacturers.
Hardware - black or silver



* Nominal panel thickness

Slide⁺



Slide+ is an extension of our Slide range. Adapted to meet the demands of primary school aged children, the contemporary design helps to bridge the transition from child to young adult. Slide+ is available with two standard door heights to choose from.



'L' shaped headrail



Indicator bolt front



Easy slide indicator bolt



Slender foot with black base

Specification

Overall Height

1900mm

Door Height

Infants - 1300mm
Juniors - 1500mm

Floor Clearance

100mm

Cubicle Depth

1500mm (standard)

Hardware

Headrail - 'L' shape headrail
Hinges - anti-trap hinges
Wall Fixings - 'U' brackets
Indicator Bolt - easy slide bolt
Pedestal - slender foot, black base

Panels

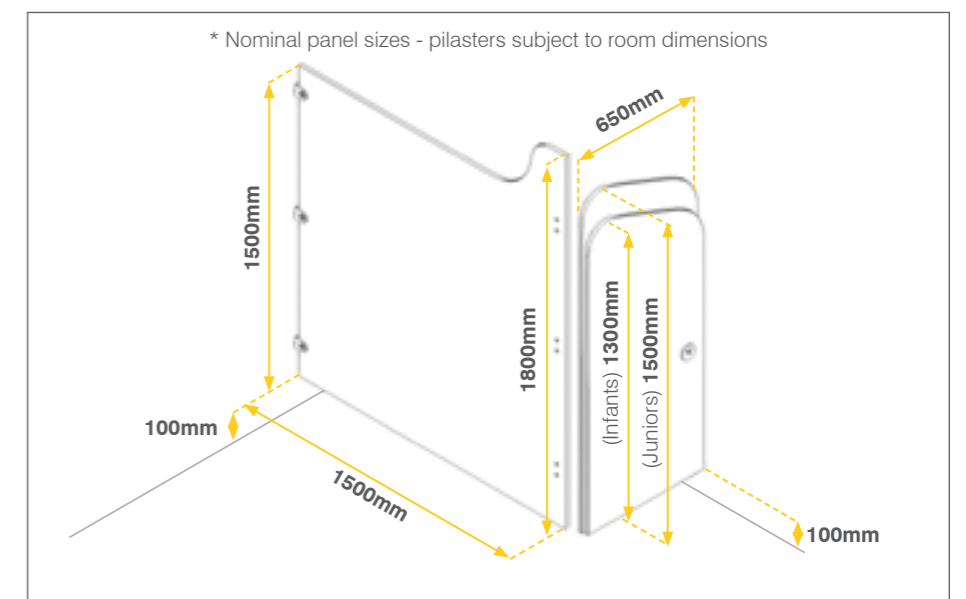
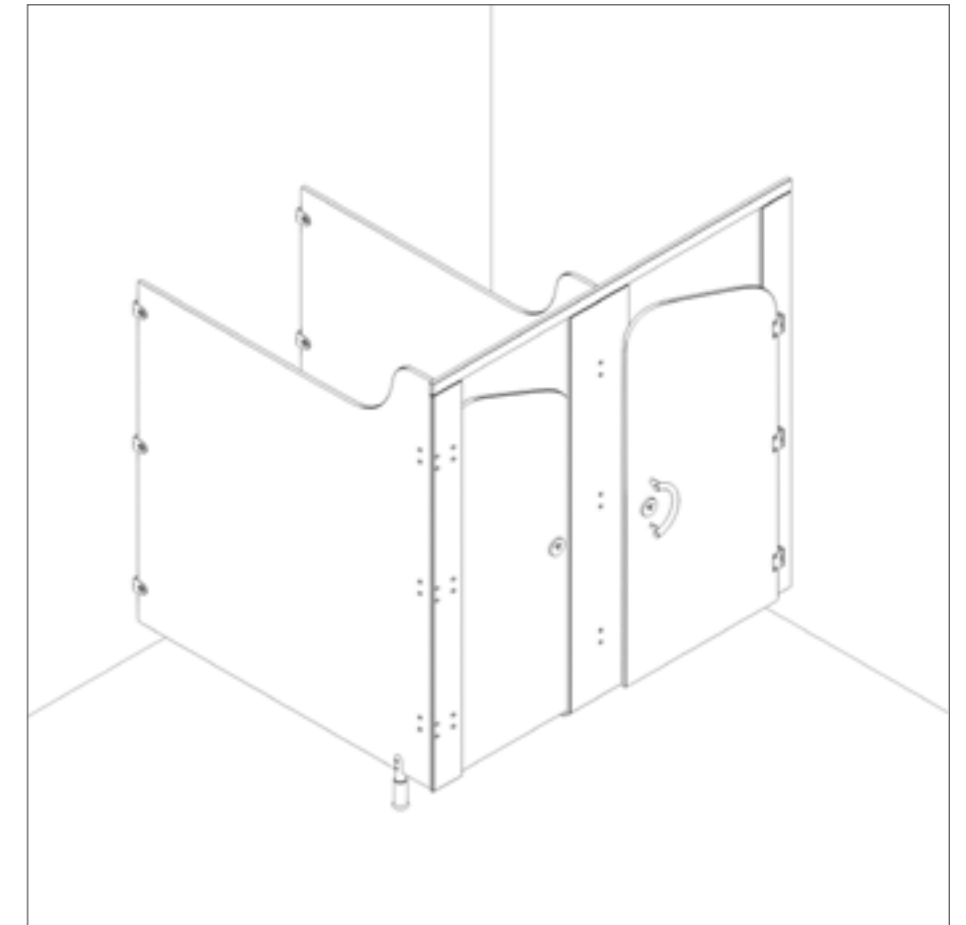
Material A - 13mm* SGL
Material B - 18mm* MFC

Edges

SGL - black, radiused & polished
MFC - 2mm ABS

Decor & Finish

Panels - choose from any of the leading manufacturers
Hardware - black or silver



* Nominal panel thickness

Standard⁺



Standard+ is our most popular washroom offer. With two materials to choose from, this cubicle range is suited for all budgets and market sectors. Standard+ comes with full height partitions and doors, making it the staple choice for a washroom fit-out.



Specification

Overall Height

1900mm

Door Height

1800mm

Floor Clearance

100mm

Cubicle Depth

1500mm (standard)

Hardware

Headrail - 'L' shape headrail

Hinges - anti-trap hinges

Wall Fixings - 'U' brackets

Indicator Bolt - easy slide bolt

Pedestal - slender foot, black base

Panels

Material A - 13mm* SGL

Material B - 18mm* MFC

Edges

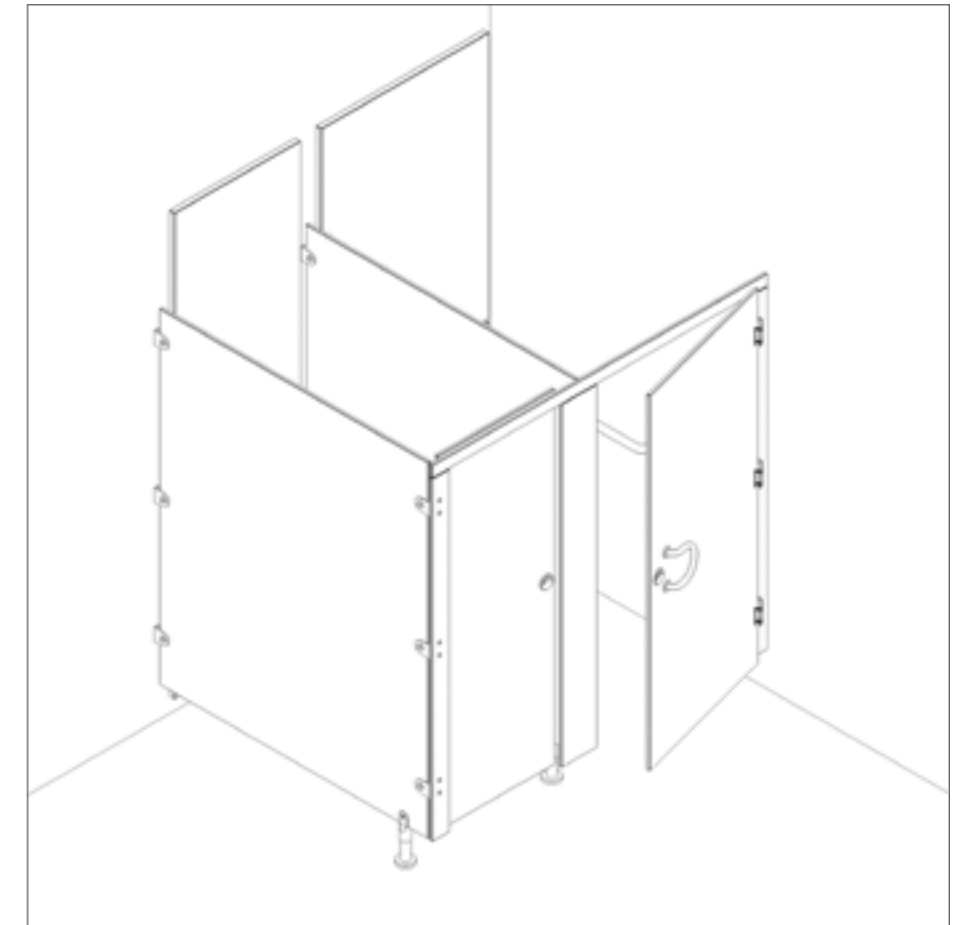
SGL - black, radiused & polished

MFC - 2mm ABS

Decor & Finish

Panels - choose from any of the leading manufacturers

Hardware - black or silver



'L' shaped headrail



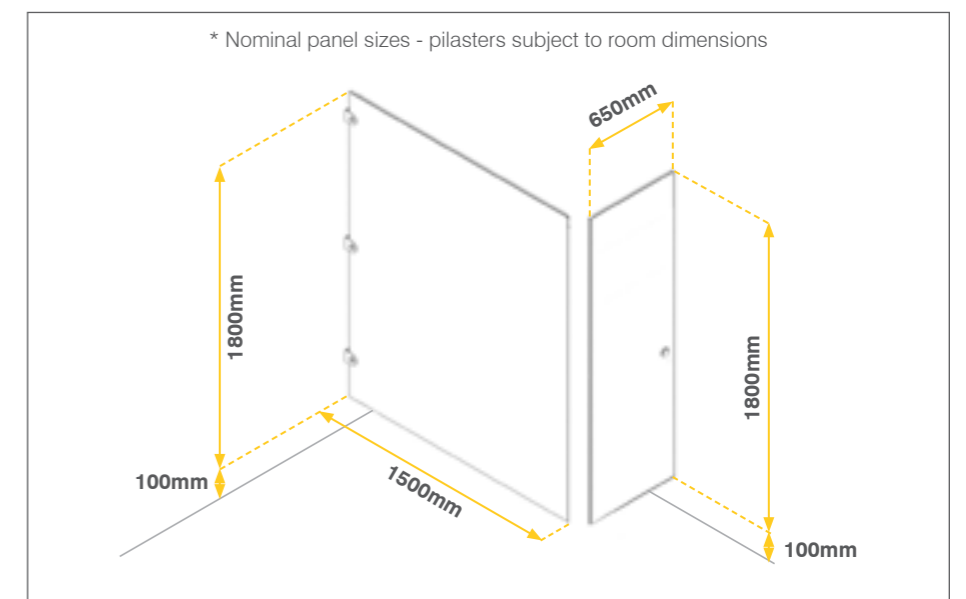
Indicator bolt front



Easy slide indicator bolt



Slender foot with black base



* Nominal panel thickness

Private



With a contemporary look, our Private washroom range offers modern design, alongside increased user discretion. This washroom has low profile doors, pilasters and partitions, as well as an increased overall height. Due to the minimal floor clearances, level floors are required, to avoid any operational issues.



Specification

Overall Height

2100mm

Door Height

2090mm

Floor Clearance

Front - 10mm

Between Cubicles - 25mm

Cubicle Depth

1500mm (standard)

Hardware

Headrail - 'L' shape headrail

Hinges - anti-trap hinges

Wall Fixings - 'U' brackets

Indicator Bolt - easy slide bolt

Pedestal - 25mm foot

Panels

Material A - 13mm* SGL

Material B - 18mm* MFC

Edges

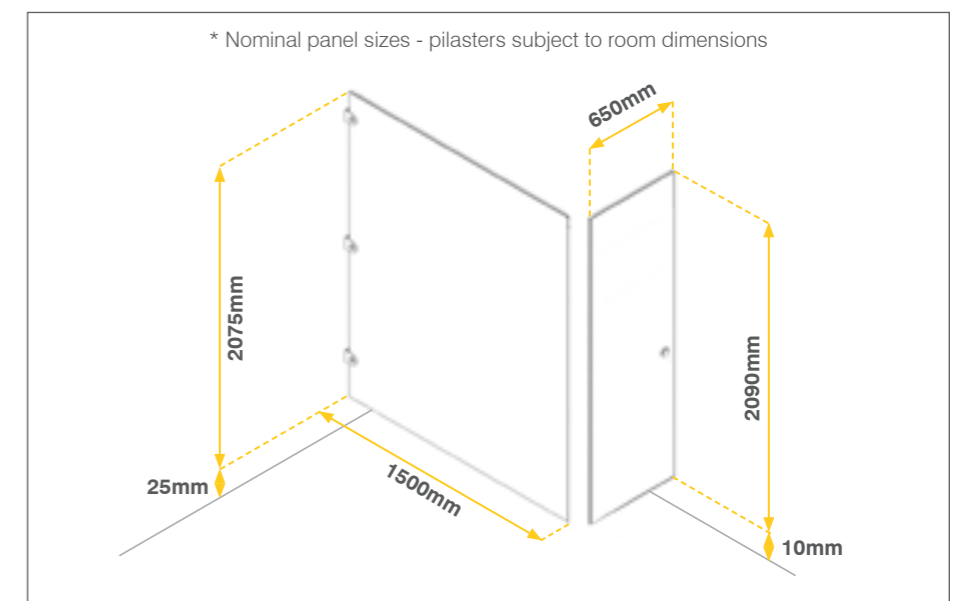
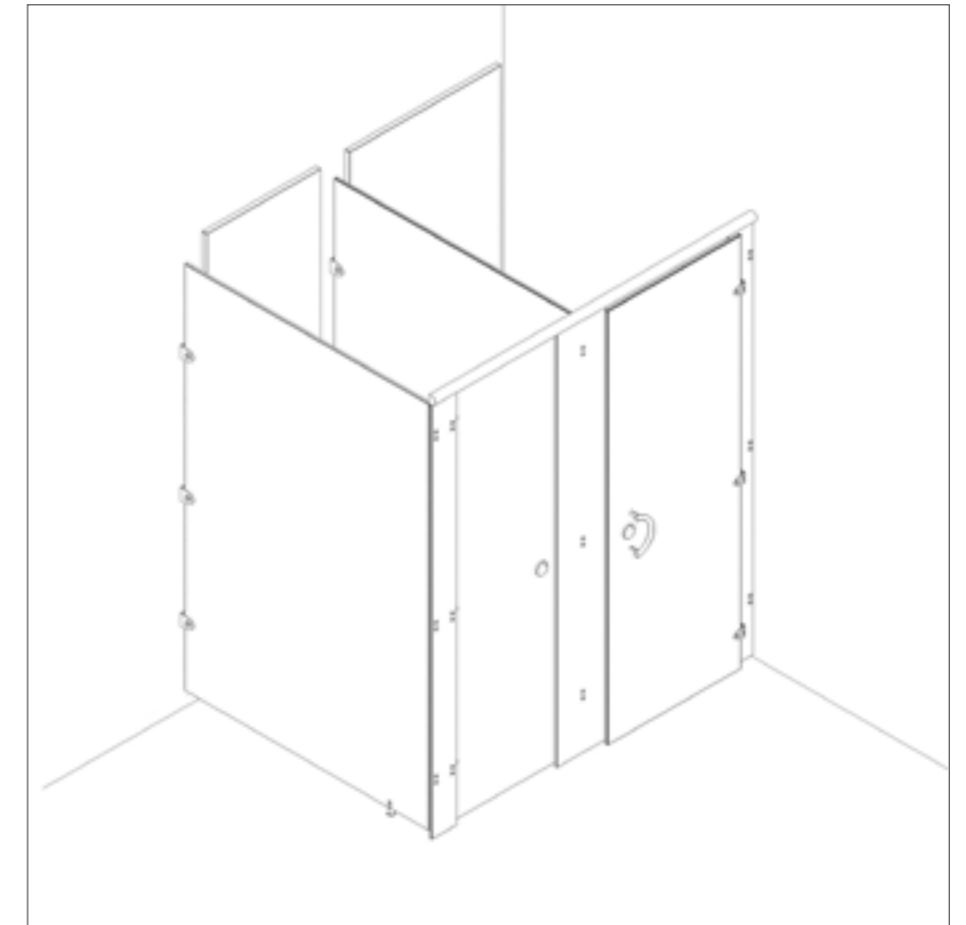
SGL - black, radiused & polished

MFC - 2mm ABS

Decor & Finish

Panels - choose from any of the leading manufacturers

Hardware - black or silver



* Nominal panel thickness

Washroom Material Options



Melamine Faced Chipboard

MFC is a pre-bonded wood based panel. Made using decorative paper on both sides of a chipboard core; fused together using melamine resin. MFC decorative panels only need to be cut and edged to finish them. We recommend moisture resistant grade for Cubico® panels.

Solid Grade Laminate

SGL is composed of multiple layers of Kraft paper, permeated with phenolic resin. Both sides are finished with decorative melamine saturated paper, with a protective overlay to complete. This is why SGL is one of the toughest decorative panels on the market.

Washroom Types

Not all washrooms are built the same. Cubico washrooms can be configured to suit four standard layouts:

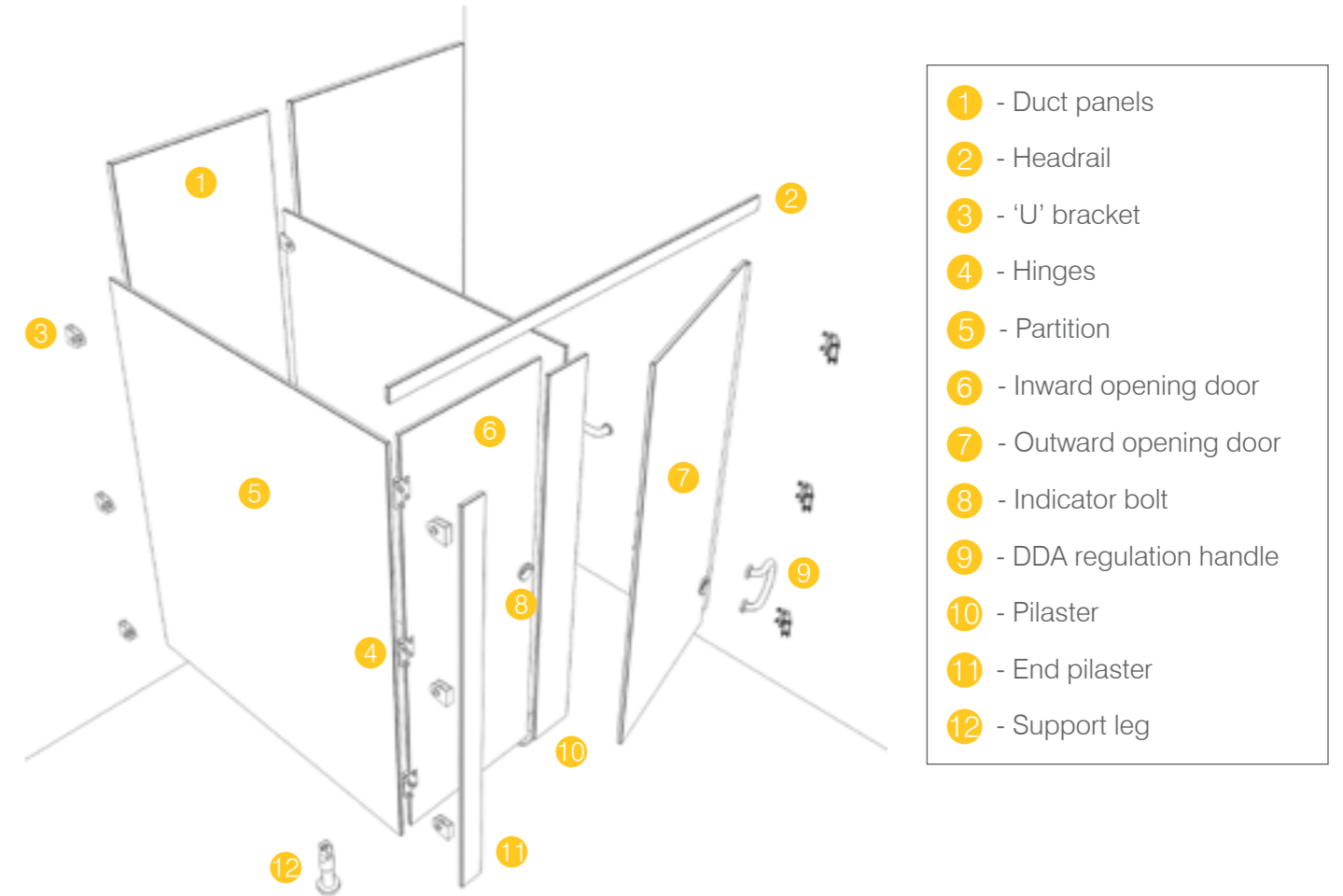
Freestanding	The cubicles are attached to just one wall.
Corner	The cubicles are freestanding at one end and contained within an internal corner wall on the other
Enclosed	Cubicles are contained between three walls.
In-line	When the toilet is set against a side wall and is in-line with the door.

Cubicle Types

When specifying cubicles for a washroom project, certain considerations must be made regarding the accessibility for all users. Some of which are highlighted below:

Standard cubicles	Must have a minimum of 450mm diameter of clear manoeuvring space inside the cubicle. All indicator bolts must be capable of being operated with a closed fist.
Enlarged cubicles	Where four or more cubicles are installed within a washroom, one of them must be an enlarged cubicle, this type of WC has a minimum width of 1200mm and includes an outward opening door.
Ambulant cubicles	Every washroom must include at least one cubicle that is suitable for an ambulant disabled person. If the washroom can only accommodate one toilet cubicle, then it must meet ambulant specifications.
Wheelchair accessible	Wheelchair accessible toilet cubicles must have an overall length of 2220mm and be at least 1518mm wide. The door opening should be 900mm with a 950mm wide outward opening door.

Cubicle Configurations



Decor Options

We have access to a wide supply chain, meaning that we are able to offer you the choice of decors from all of the leading panel manufacturers, which includes:



Simply find your favourite MFC, SGL or HPL* decors from the above manufacturers and quote them when enquiring. If you would like to use alternate manufacturers, then speak to our sales estimators.

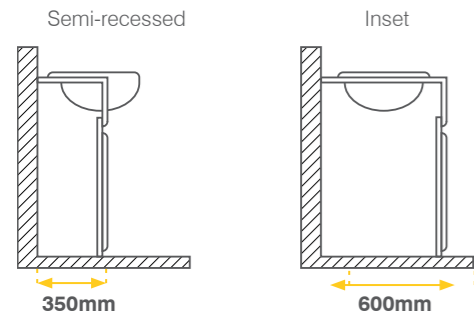
Cubico Vanity Units

Vanity units are an essential part to complete your washroom fit-out. Whatever performance or budget level you need, we have a vanity unit offer that is right for you. Our most commonly produced vanity unit includes sink unit cut-outs of some form. However, we can create custom vanity worktops to suit your needs, including:

- Solid vanity unit worktops
- Inset or semi-recessed sinks
- Baby-changing units
- Include cut-outs i.e. for hair dryers in changing rooms

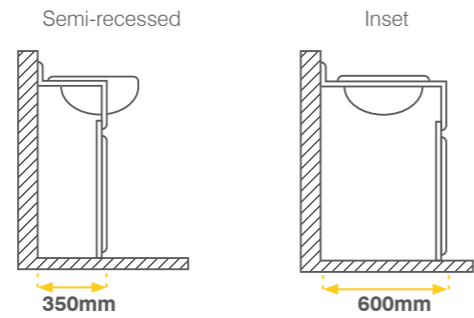
Vanity Dimensions

Integral Downstand

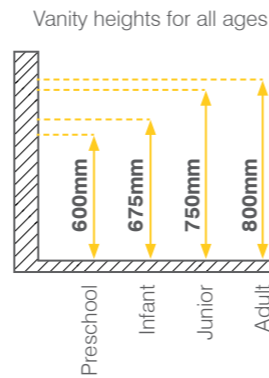


These Cubico vanity worktops come with an integral 200mm downstand.

Integral Upstand & Downstand



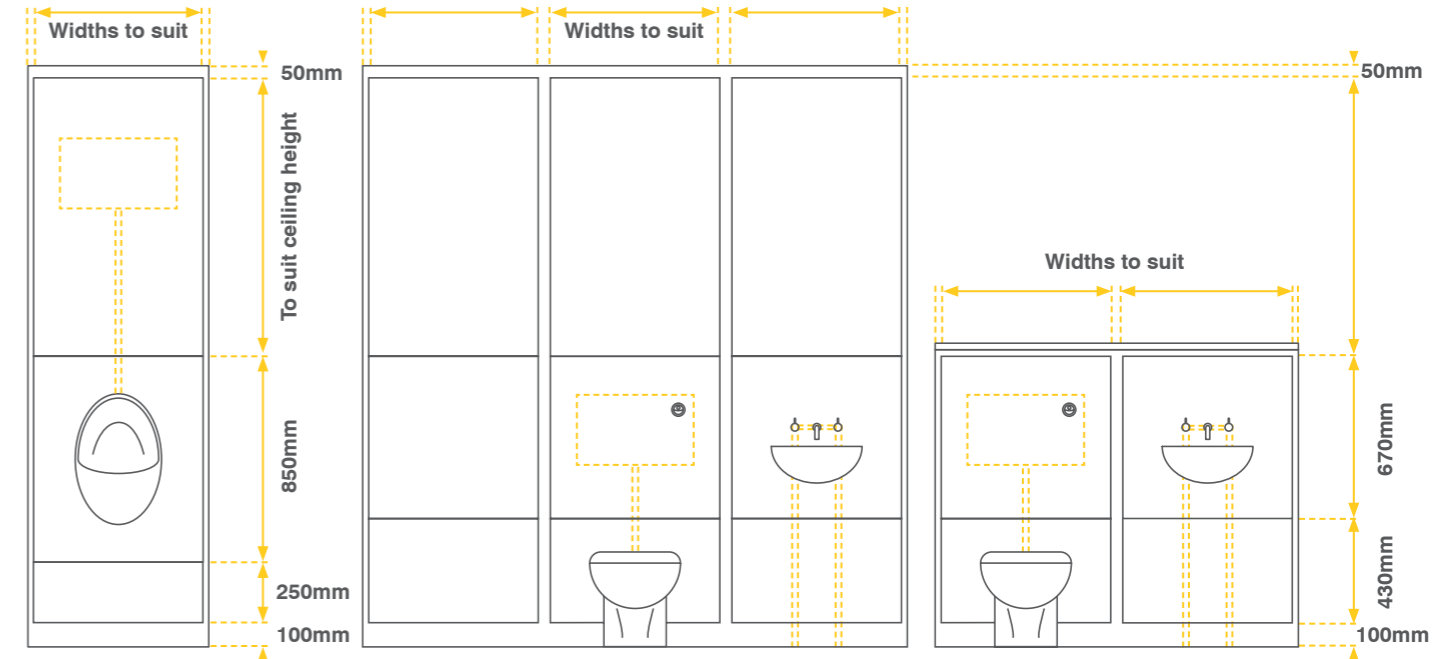
Vanity worktops with an integral 100mm upstand and a 200mm downstand.



Cubico Duct Panel Systems

Based on your room dimensions, we supply you with all the panel components needed to fit-out your pre-existing duct framing. Where access is required, our systems are installed using Keku fasteners. These fixings are invisible, but allow access for maintenance without the need for specialist tools. Cubico duct panels can be detailed to suit a variety of uses, from: cubicles and wall linings, through to urinals and wash stations.

Duct panel dimensions



Vanity Unit Types

Cubico Traditional and Durable vanity ranges fall within our Multiform® sub-brand. Aquaform®, postformed vanity unit worktops are exclusive to Starbank, and are recommended for demanding environments.



Traditional

- HPL vanity worktop
- Moisture resistant chipboard core
- For use in dry areas with only light traffic.

Durable

- HPL decorative face
- SGL core
- For use in dry areas with medium traffic.

Aquaform®

- Made from one piece of SGL
- Exclusive to Starbank
- For use in wet, humid areas with high traffic.

Duct Panel Material Options

Cubico duct panel systems can be manufactured using any of the three panel materials listed below.



Melamine Faced Chipboard

- Square edge duct panels
- 2mm ABS edgebanding
- For use in dry areas with only light traffic

High Pressure Laminate

- Can be supplied either square edged or pencil round.
- Bonded to moisture resistant MDF or MFC.
- 2mm ABS edgebanding used for square applications
- For use in dry areas with light to medium traffic.

Solid Grade Laminate

- Radiused edge
- Black edge
- For use in wet or dry areas with high traffic.



Starbank Panel Products Ltd
Sankey Valley Ind Est
Newton-le-Willows
Merseyside
WA12 8DN

01925 223 965
sales@starbank-uk.com
www.starbank-uk.com

© Cubico® is a registered trademark of Starbank Panel Products Limited